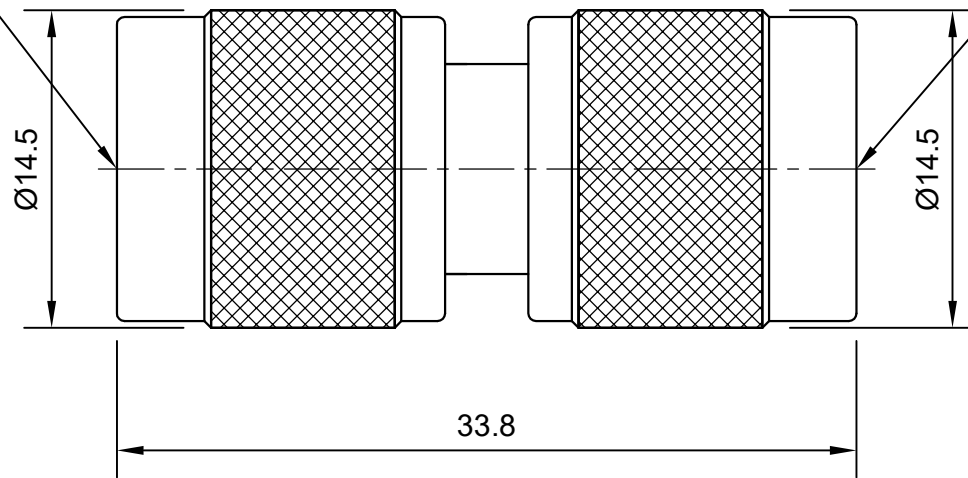


RevNo	Revision note	Date	Signature	Checked



RP-TNC MALE

TNC MALE



### TECHNICAL DATA

Type	Adapter
Orientation	Straight
Impedance (Ohms)	50
Adapter Side 1	RP TNC
Side 1 Gender	Plug
Adapter Side 2	TNC
Side 2 Gender	Plug
Body Finish	Nickel
Body Material	Brass
Contact Finish	Gold
Contact Material	Phosphor Bronze
Insulator Material	Delrin
Max. Frequency (GHz)	11
Mounting Feature	--
Min. Temp. (Celsius)	-40
Max. Temp. (Celsius)	85
Weight (Grams)	21.2

		SHEET	1 of 1	SCALE	NTS
		<b>RF ADAPTER</b>			
DRAWN	VINAY	27.10.2018	<b>RP TNC Male to TNC Male</b> STRAIGHT TYPE		
CHECK					
APPR.	VINAY	27.10.2018	DWG NO <b>VSW-AD-053221RP-S</b>		
ISSUED					
REV	R0				

FILE PATH: D:\VINSUR\DRAWINGS -- VINSUR\ADAPTERS\TNC - TNC  
 FILE NAME: ADAPTER - RP TNC Male to TNC Male - VSW-AD-053221RP-S.dwg

SIZE